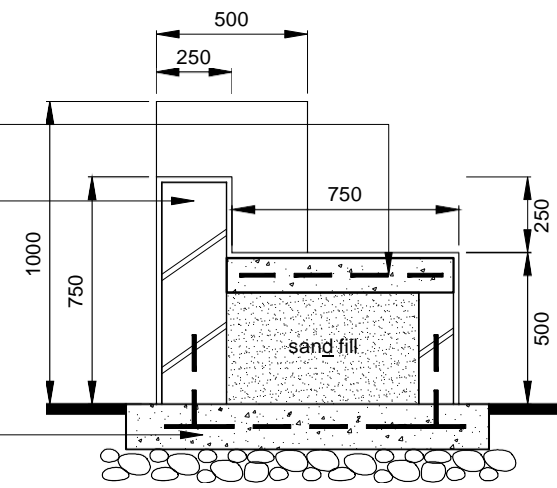
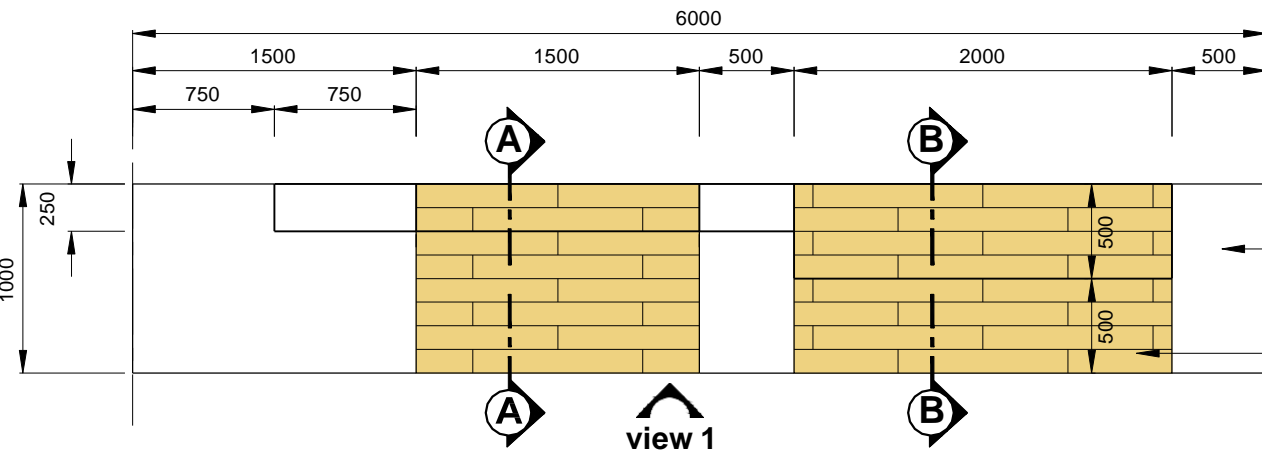


VIEW 1
SCALE 1:40

100mm thk. r.c. slab to engr's detail
 brickwall benches with smooth cement render finish and to be painted
 125mm X 900mm plank tiles wood pattern finish
 150mm thk. minimum r.c. base with compacted hardcore to engr's detail

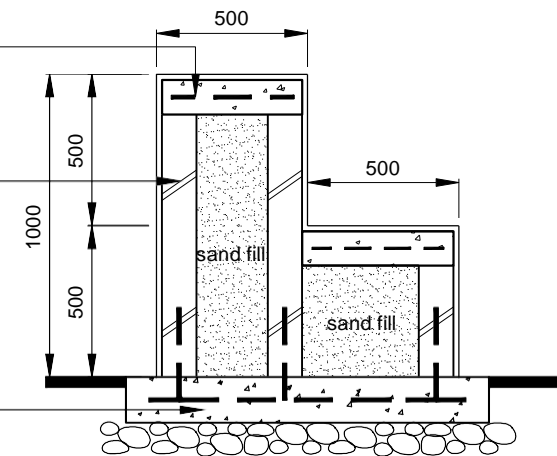


SECTION A-A
SCALE 1:25

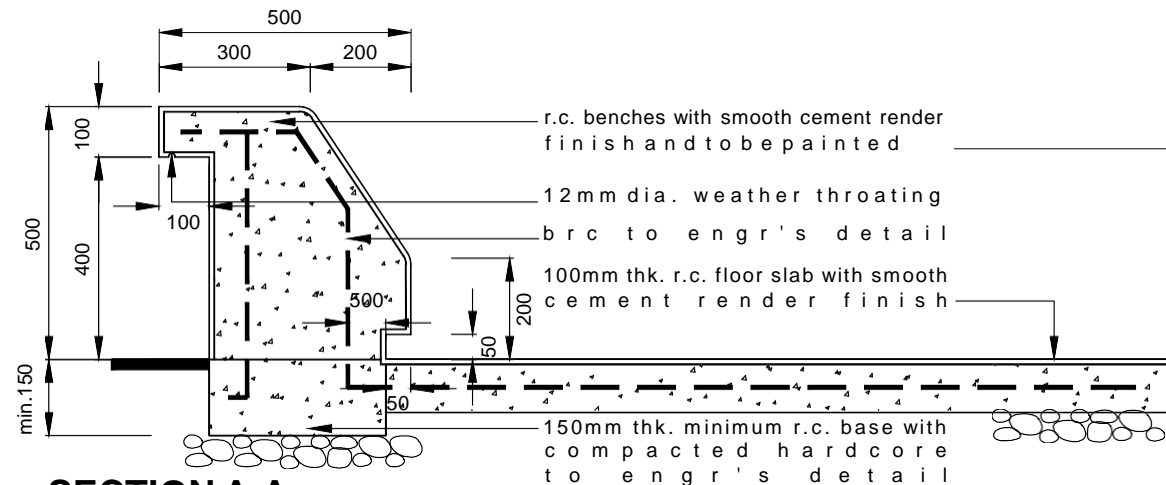


PLAN OF BENCHES TYPE 2 (TYPICAL)
SCALE 1:40

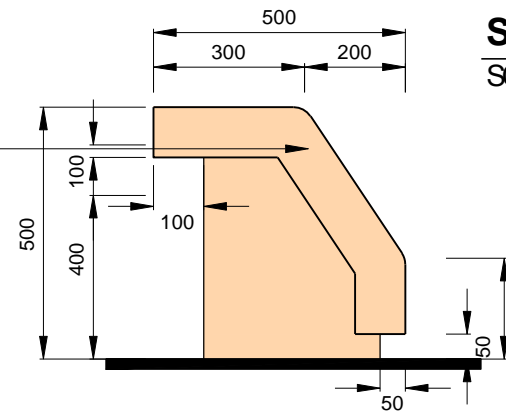
100mm thk. r.c. slab to engr's detail
 brickwall benches with smooth cement render finish and to be painted
 125mm X 900mm plank tiles wood pattern finish
 150mm thk. minimum r.c. base with compacted hardcore to engr's detail



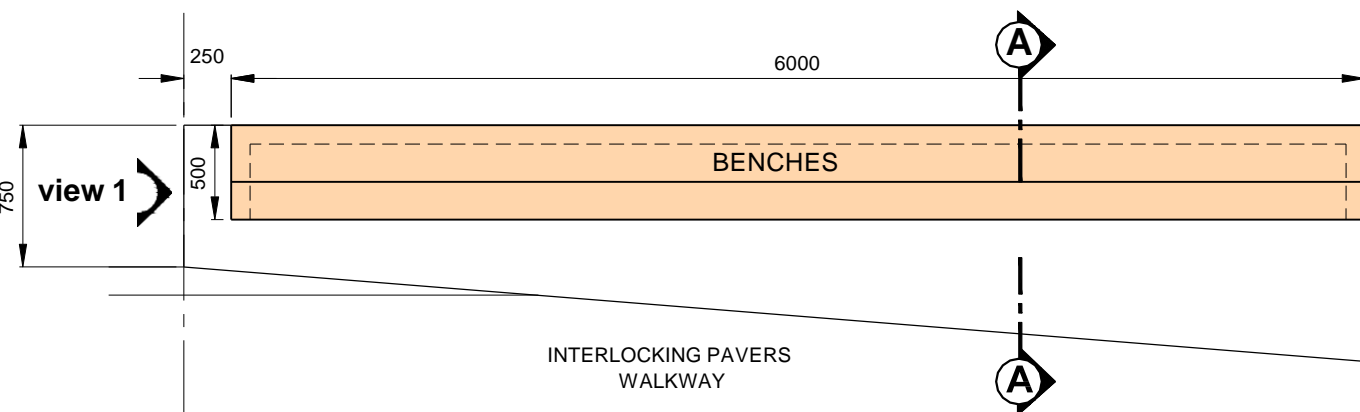
SECTION B-B
SCALE 1:25



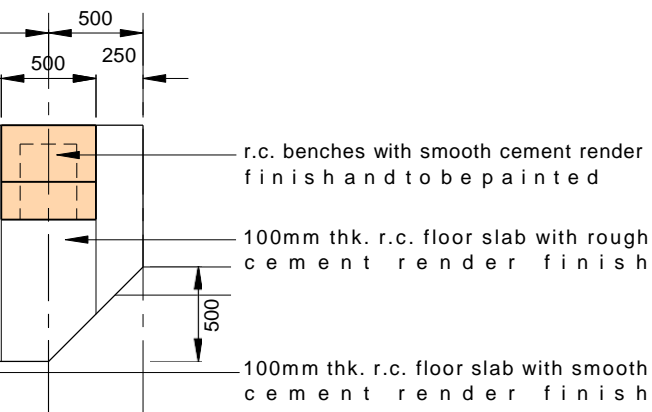
SECTION A-A
SCALE 1:15



VIEW 1
SCALE 1:15




PLAN OF BENCHES TYPE 1 (TYPICAL)
SCALE 1:40




BENCHES TYPE 1 & TYPE 2 (TYPICAL)

NOTE:
All dimension and measurement will be determined and finalised on site

TENDER DRAWING



Kerajaan Malaysia
Kementerian Perumahan Dan Kerajaan Tempatan



Jabatan Landskap Negara
Tingkat 10, Blok F10
Kompleks Bangunan Kerajaan Parcel F, Presint 1
Pusat Pentadbiran Kerajaan Persekutuan
62000 Putrajaya
Tel : 603-8991 0500
Fax : 603-8991 0670

Dengan Kerjasama :

TAJUK PROJEK :
KENYATAAN :

BIL.	BUTIRAN PINDAAN	TARIKH	TITANGAN

HAK CIPTA :
THIS DRAWING IS COPYRIGHT. CONTRACTORS MUST READ THE DRAWING IN CONJUNCTION WITH THE TENDER DOCUMENT. CONTRACTORS MUST CHECK ALL DIMENSIONS ON SITE. ONLY FIGURE DIMENSIONS ARE TO BE WORKED FROM. ALL DISCREPANCIES MUST BE REPORTED TO THE LANDSCAPE ARCHITECT BEFORE PROCEEDING. WHERE A SPECIFIED SAMPLE IS FOLLOWED BY 'OR SIMILAR APPROVED', IT WILL BE THE CONTRACTORS RESPONSIBILITY TO SUBMIT ALTERNATIVE SAMPLES FOR APPROVAL. IF NOT ONLY THE SPECIFIED SAMPLE IS TO BE USED. ANY ADJUSTMENT ON SITE ARE TO BE REPORTED TO THE LANDSCAPE ARCHITECT BEFORE PROCEEDING.
COPYRIGHT JABATAN LANDSKAP NEGARA, PUTRAJAYA. REPRODUCTION OF THE WHOLE OR PART OF THIS DOCUMENT CONSTITUTES AN INFRINGEMENT OF COPYRIGHT. THE INFORMATIONS, IDEAS & CONCEPT CONTAINED IN THIS DOCUMENT ARE CONFIDENTIAL. RECIPIENTS OF THIS DOCUMENT ARE PROHIBITED FROM DISCLOSING SUCH INFORMATIONS, IDEAS AND CONCEPTS OF JABATAN LANDSKAP NEGARA, PUTRAJAYA.

JABATAN LANDSKAP NEGARA :

(ILAM NO :)
Ketua Pengarah
Jabatan Landskap Negara

PIHAK BERKUASA TEMPATAN :

.....
YANG DIPERTUA

NOTA :

TAJUK LUKISAN :
BENCHES TYPE 1 & 2 (TYPICAL)
- PLAN
- SECTION A-A
- VIEW 1

Dilukis	ad9mz
Disemak	En. Jasni
Disahkan	Pn. Adeline
Tarikh	Jun 2023
Skala	As Shown

No. Lukisan: JL.N-PT/TRRTI/2023/D03-benches1&2

Pindaan	1	2	3	4	5	6	7	8
---------	---	---	---	---	---	---	---	---